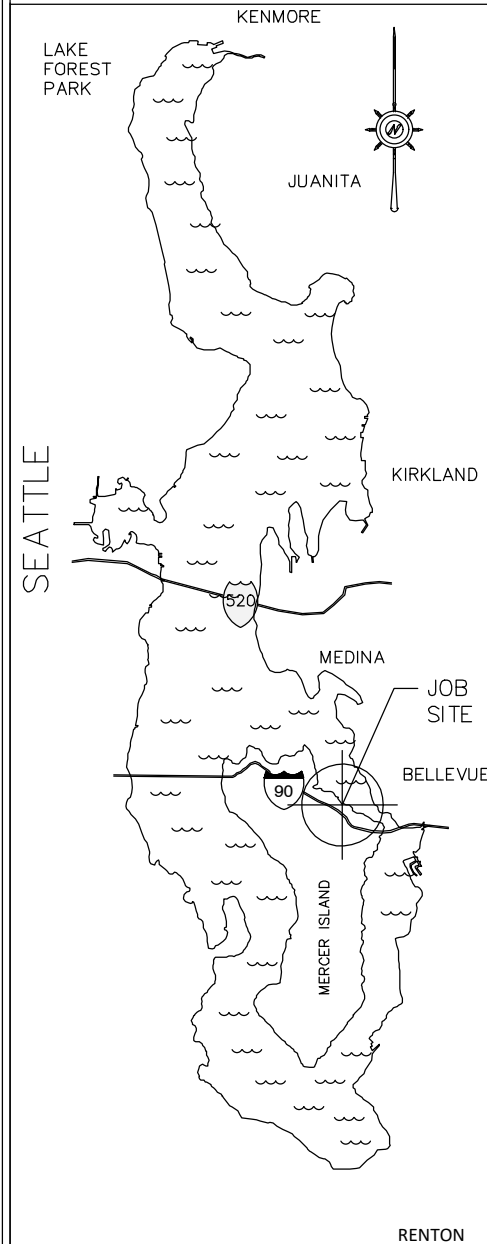


# COVENANT SHORES DOCK REPAIR



LAKE MAP/NO SCALE

**PROPOSED:**  
REPAIR THE EXISTING PIER BY REMOVING AND REPLACING THE EXISTING DECKING WITH THRU-FLOW LEGACY PLASTIC GRATED DECKING.

**PURPOSE:** MAINTAIN MOORAGE INTEGRITY.

**APPLICANT:** COVENANT SHORES INC.

**SITE ADDR:** 9105 FORTUNA DRIVE  
MERCER ISLAND, WA 98040

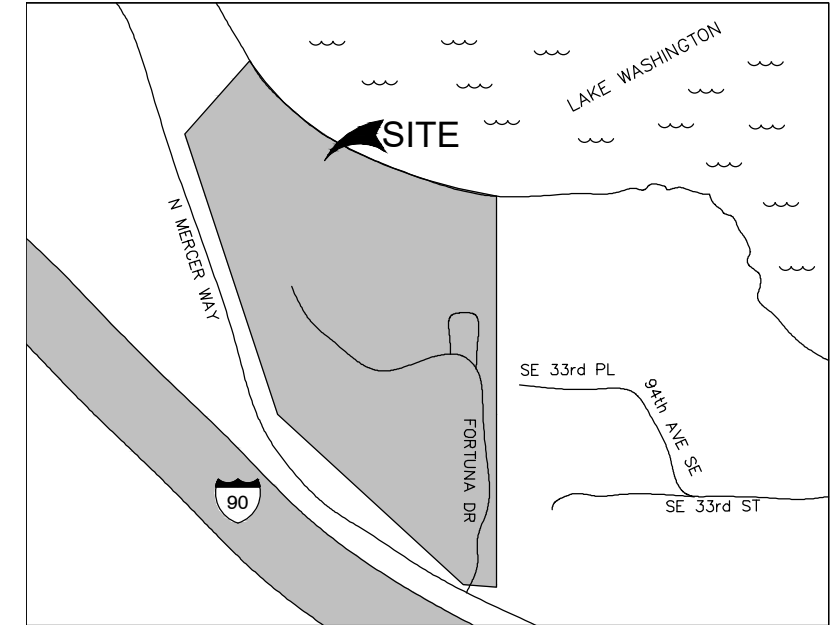
**MAIL ADDR:** SAME AS ABOVE

**ADJACENT PROPERTY OWNERS:**

1.) CITY OF MERCER ISLAND  
N MERCER WAY  
MERCER ISLAND, WA 98040

2.) SMITH, GREER-TTEE  
9202 SE 3RD ST  
MERCER ISLAND, WA 98040

**LOCAL JURISDICTION:**  
CITY OF MERCER ISLAND



## VICINITY MAP

NOT TO SCALE



1/4 SEC: SE-7-24-5

LAT: 47.58158

LONG: -122.21539

## LEGAL DESCRIPTION:

(PARCEL No. 0724059016)

DECIMAL CONVERSION:

LAT: 47°34'53.688"

LONG: -122°12'55.4034"

POR OF GL 4 & LOTS 24 & 25 SUNNYBANK ADD DAF - BEG 658 FT N & 826 FT W OF SE COR GL 4 TH S 00-10-12 E TO NLY MGN N MERCER WAY & TPOB TH N 00-10-12 W TO SH LN LK WASH TH N 75-16-00 W 103.49 FT TH S 87-36-00 W 100.60 FT TH N 67-33-00 W 111.66 FT TH N 52-10-00 W 100.65 FT TH N 56-26-00 W 100.08 FT TH N 40-43-00 W 107.71 FT TH N 32-08-00 W 66.66 FT TO NW COR LOT 24 SUNNYBANK TH S 41-23-31 W 252.293 FT TO NELY MGN MERCER WAY TH SELY ALG SD NELY MGN TO TPOB TGW SH LDS ADJ AKA POR MI LL REVISION 89-03-04 REC #8905119011 "PORTION TAXABLE"

## SHEET INDEX:

1. COVER PAGE
2. EXISTING SITE PLAN
3. EXISTING PLAN VIEW
4. PROPOSED PLAN VIEW
5. EXISTING FRAMING PLAN
6. PROPOSED FRAMING PLAN
7. EXISTING/PROPOSED ELEVATION VIEWS
8. SECTION DETAILS
9. CONSTRUCTION DETAILS



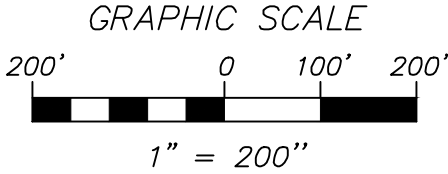
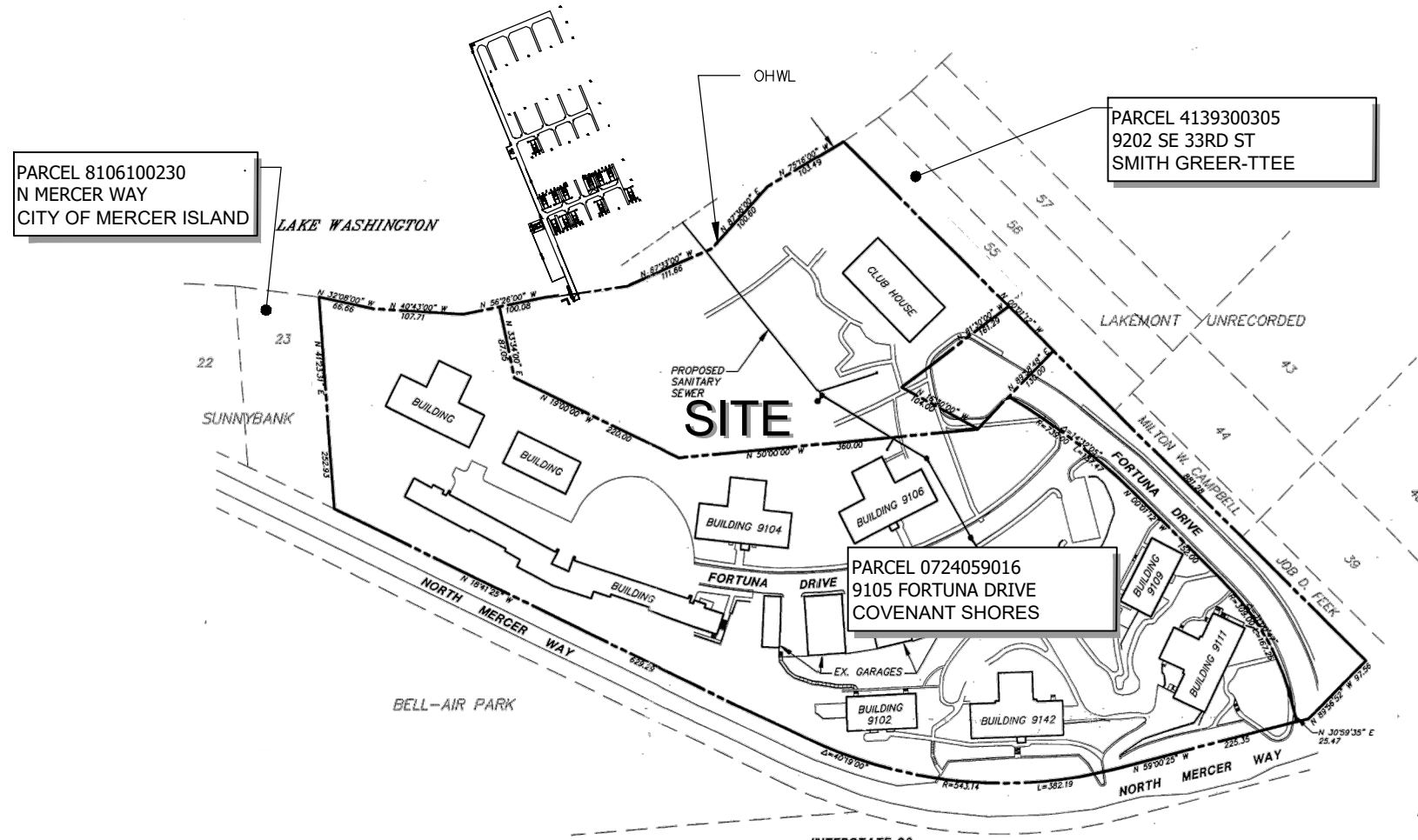
# MARINE RESTORATION & CONSTRUCTION LLC

P.O. BOX 208 FALL CITY, WA 98024

PHONE: (425) 576-8661 E-MAIL: INFO@MARINELLC.COM

THIS DRAWING IS PROPERTY OF MARINE RESTORATION & CONSTRUCTION LLC AND MAY NOT BE COPIED OR REPRODUCED WITHOUT WRITTEN CONSENT

**NOTE:**  
 Property information for this site was obtained from survey.  
 Marine Restoration & Construction LLC has added information  
 from other sources including field measurements and aerial  
 photos. We are not surveyors and can not guarantee great level  
 of accuracy.



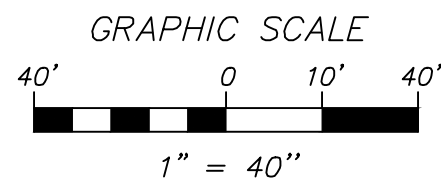
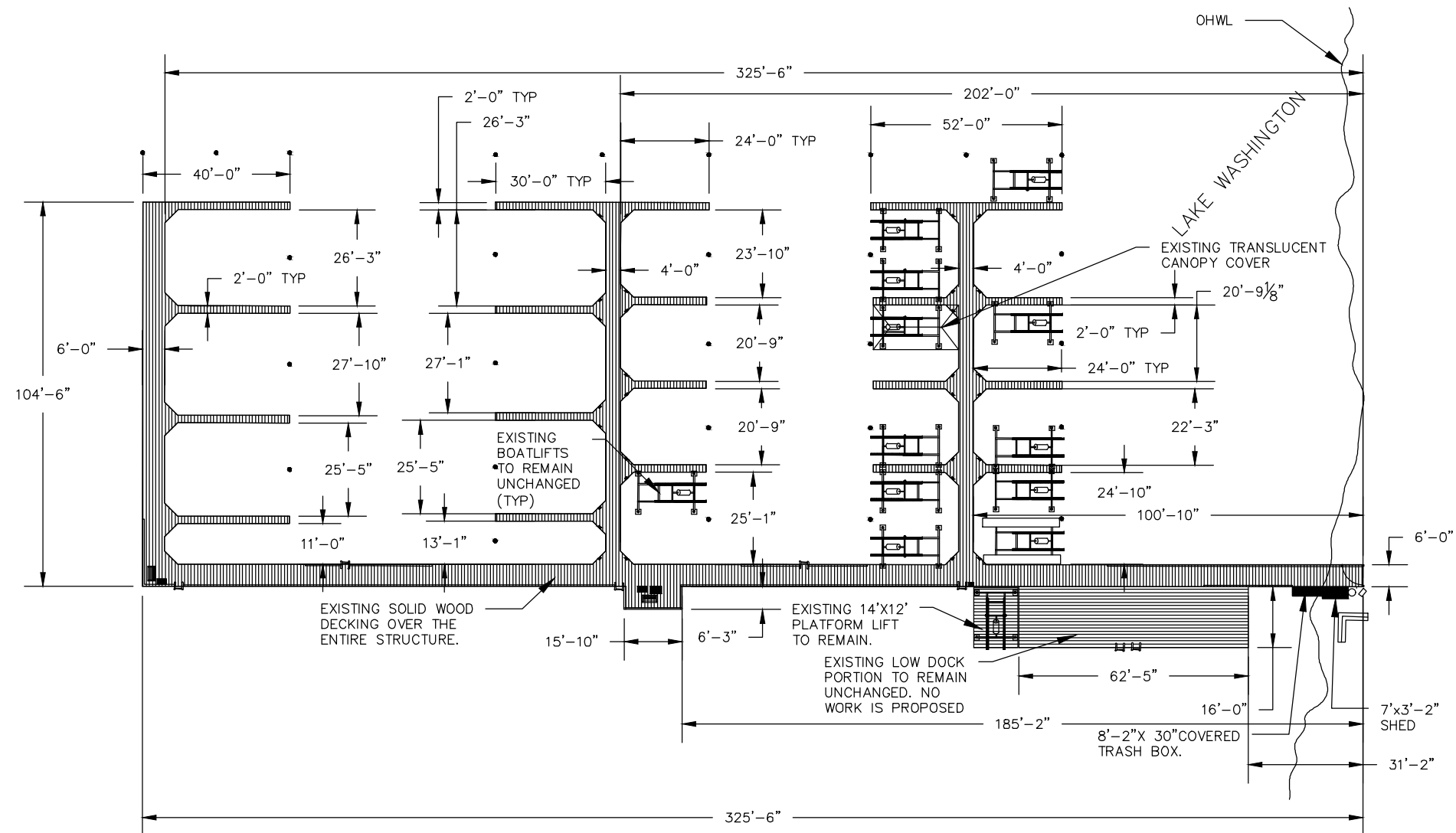
**EXISTING SITE PLAN**  
 SCALE: 1" = 200'



# MARINE RESTORATION & CONSTRUCTION LLC

P.O. BOX 208 FALL CITY, WA 98024  
 PHONE: (425) 576-8661 E-MAIL: INFO@MARINELLC.COM

THIS DRAWING IS PROPERTY OF MARINE RESTORATION & CONSTRUCTION LLC  
 AND MAY NOT BE COPIED OR REPRODUCED WITHOUT WRITTEN CONSENT



**EXISTING PLAN VIEW**  
SCALE: 1" = 40'

- NOTES:**
- EACH SLIP HAS ELECTRICAL AND WATER SUPPLIES TO REMAIN.
  - 7 EXISTING ALUMINUM SWIM LADDERS TO REMAIN.
  - ALL FIRE EXTINGUISHER STORAGE BOXES TO REMAIN.
  - ALL BOATLIFTS TO REMAIN UNCHANGED.
  - ALL BENCHES (2) TO REMAIN UNCHANGED.
  - ALL MOORING PILING TO REMAIN UNCHANGED (27).
  - ALL CHAMFERS ARE 43".
  - ALL EXISTING ALUMINUM CLEATS TO REMAIN.



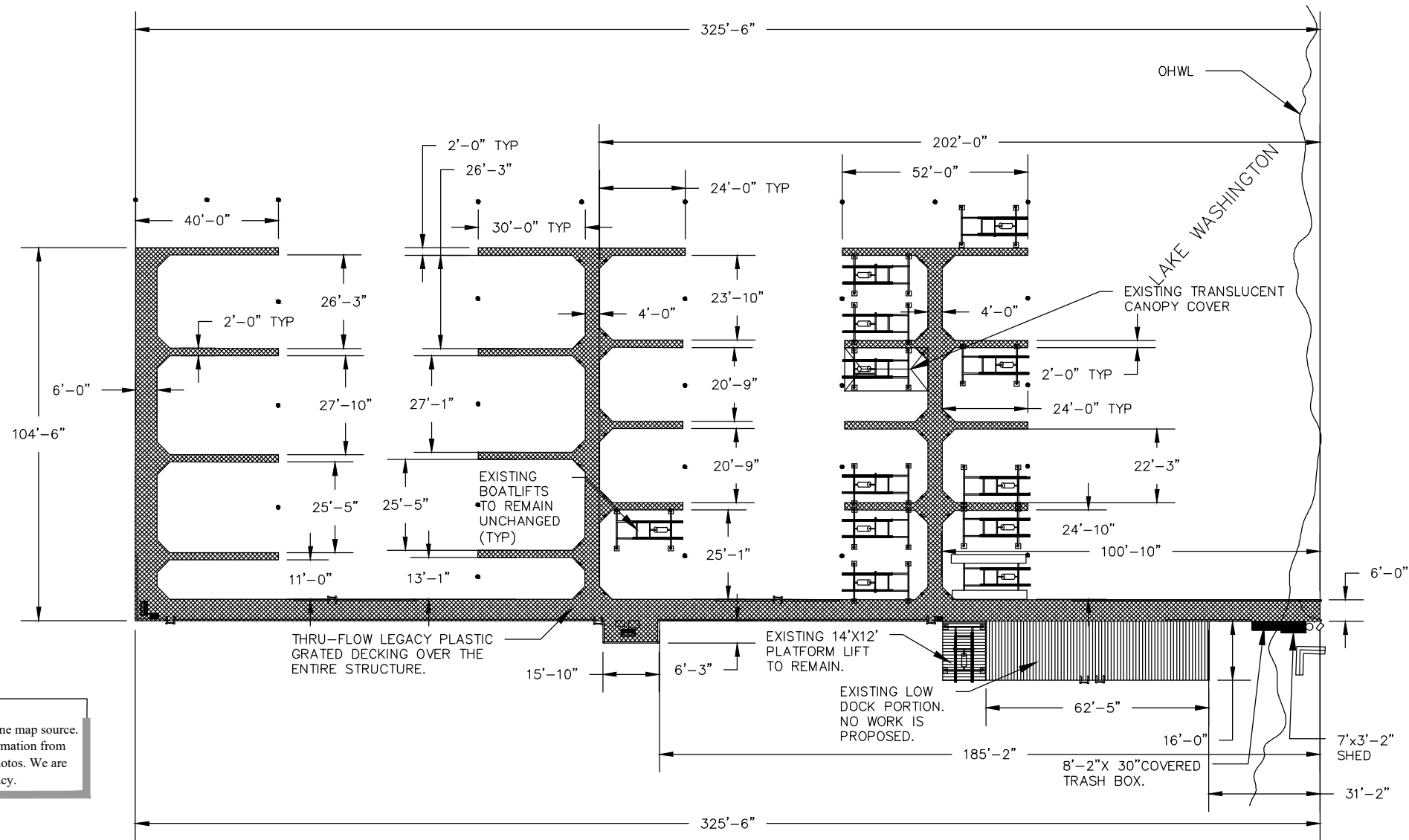
# MARINE RESTORATION & CONSTRUCTION LLC

P.O. BOX 208 FALL CITY, WA 98024

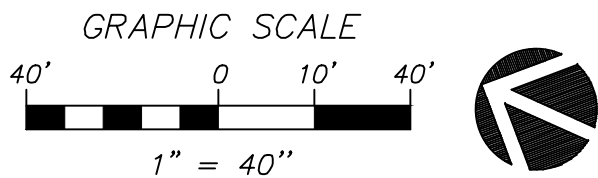
PHONE: (425) 576-8661 E-MAIL: INFO@MARINELLC.COM

THIS DRAWING IS PROPERTY OF MARINE RESTORATION & CONSTRUCTION LLC AND MAY NOT BE COPIED OR REPRODUCED WITHOUT WRITTEN CONSENT

**WORK DESCRIPTION:**  
 REMOVE EXISTING SOLID WOOD DECKING (4609 SQ. FT.) INSTALL INTERMEDIATE STRINGERS TO SUPPORT GRATED DECKING. INSTALL LEGACY THRU-FLOW PLASTIC GRATED DECKING OVER THE ENTIRE PIER (4609 SQ. FT.).



**NOTE:**  
 Property information for this site was obtained from online map source. Marine Restoration & Construction LLC has added information from other sources including field measurements and aerial photos. We are not surveyors and can not guarantee great level of accuracy.



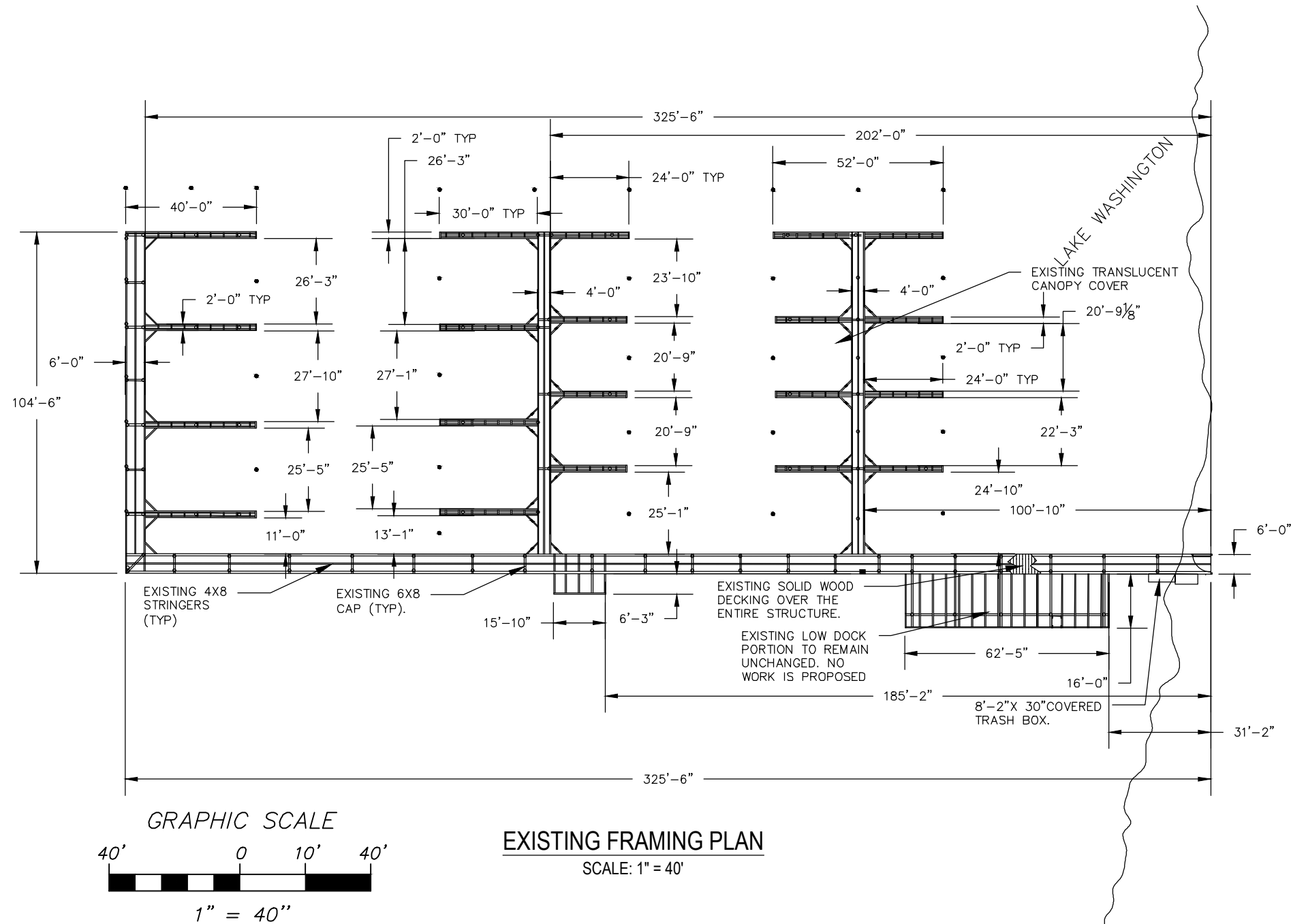
**PROPOSED PLAN VIEW**  
 SCALE: 1" = 40'



# MARINE RESTORATION & CONSTRUCTION LLC

P.O. BOX 884 Kirkland, WA 98083-0884  
 FAX: (425) 576-8669  
THIS DRAWING IS PROPERTY OF MARINE RESTORATION & CONSTRUCTION LLC AND MAY NOT BE COPIED OR REPRODUCED WITHOUT WRITTEN CONSENT

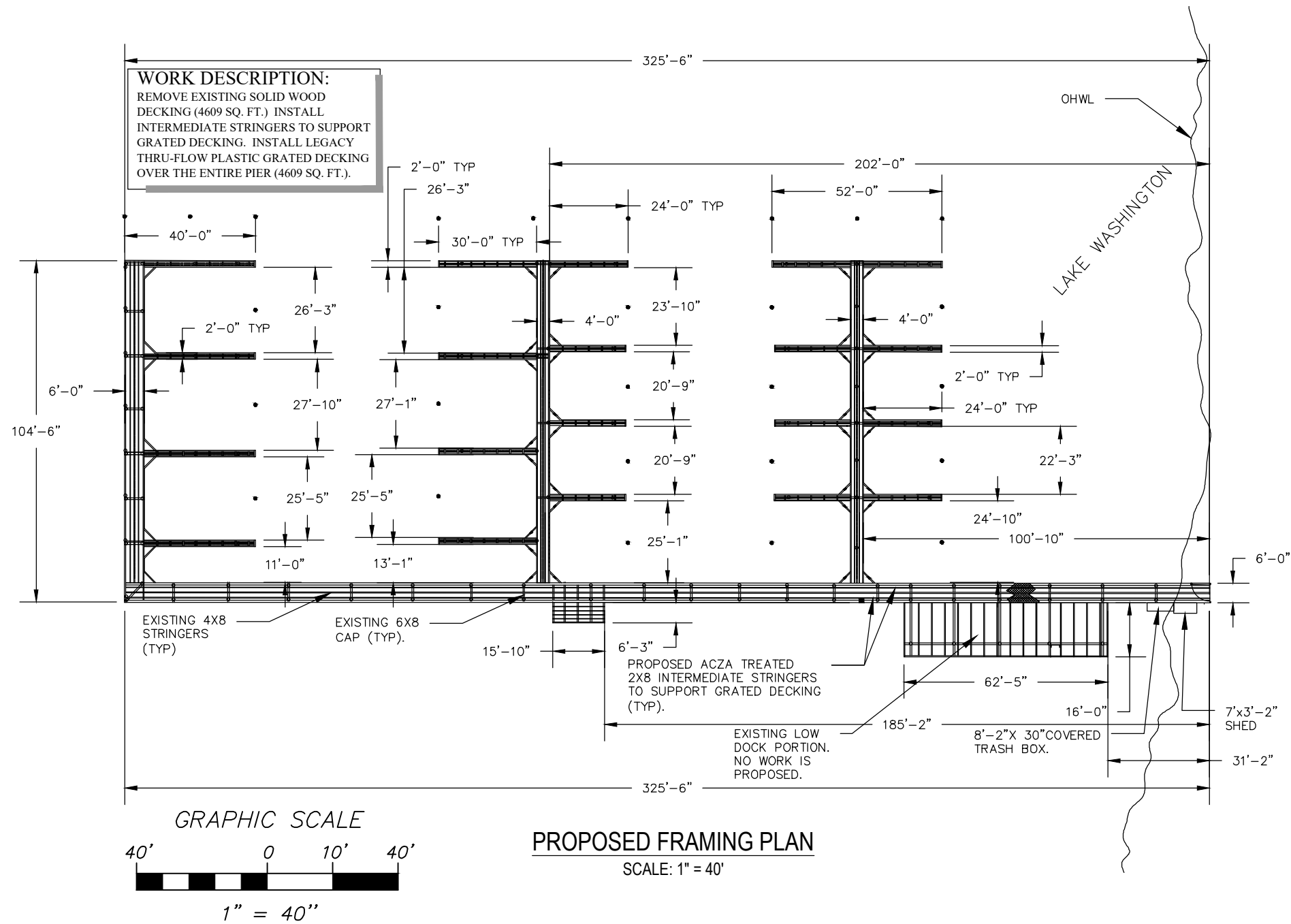
PHONE: (425) 576-8661  
 E-MAIL: INFO@MARINELLC.COM



# MARINE RESTORATION & CONSTRUCTION LLC

P.O. BOX 884 Kirkland, WA 98083-0884  
 FAX: (425) 576-8669  
THIS DRAWING IS PROPERTY OF MARINE RESTORATION & CONSTRUCTION LLC AND MAY NOT BE COPIED OR REPRODUCED WITHOUT WRITTEN CONSENT

PHONE: (425) 576-8661  
 E-MAIL: INFO@MARINELLC.COM



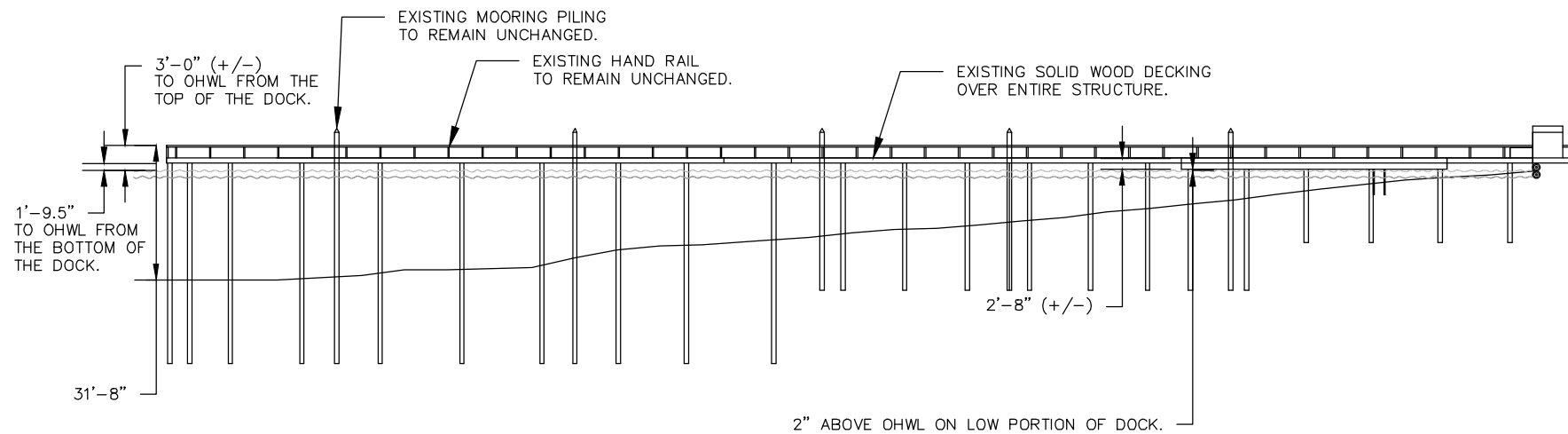
# MARINE RESTORATION & CONSTRUCTION LLC

P.O. BOX 884 Kirkland, WA 98083-0884  
 FAX: (425) 576-8669

THIS DRAWING IS PROPERTY OF MARINE RESTORATION & CONSTRUCTION LLC AND MAY NOT BE COPIED OR REPRODUCED WITHOUT WRITTEN CONSENT

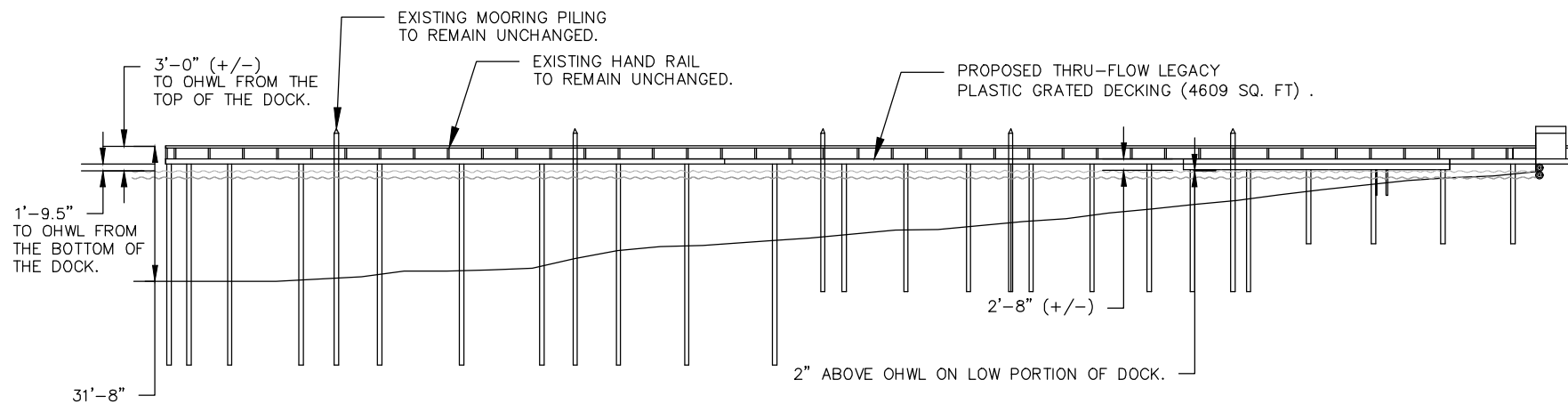
PHONE: (425) 576-8661

E-MAIL: INFO@MARINELLC.COM



**EXISTING ELEVATION VIEW**

SCALE: 1" = 40'



**PROPOSED ELEVATION VIEW**

SCALE: 1" = 40'



# MARINE RESTORATION & CONSTRUCTION LLC

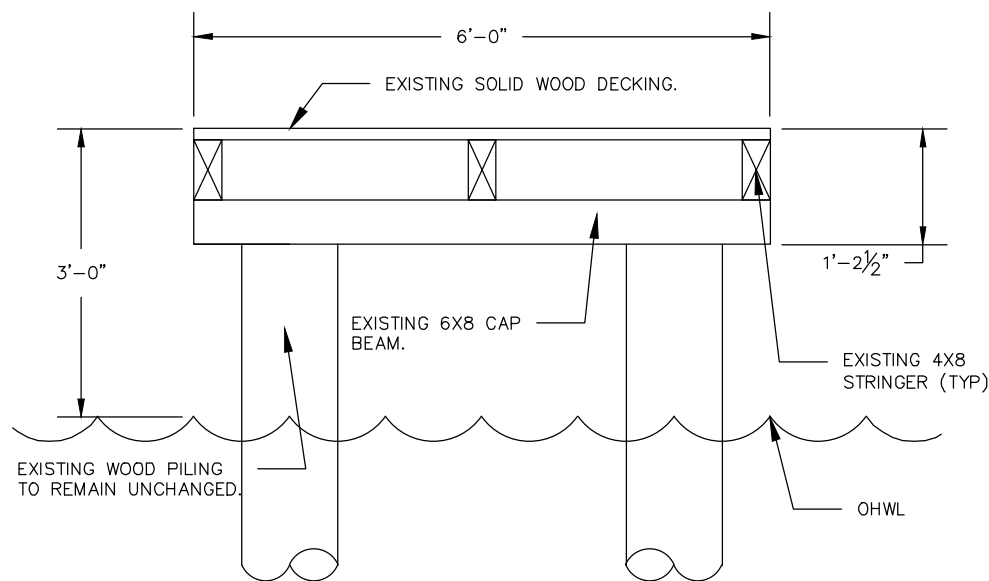
P.O. BOX 884 Kirkland, WA 98083-0884  
 FAX: (425) 576-8669

THIS DRAWING IS PROPERTY OF MARINE RESTORATION & CONSTRUCTION LLC  
 AND MAY NOT BE COPIED OR REPRODUCED WITHOUT WRITTEN CONSENT

PHONE: (425) 576-8661

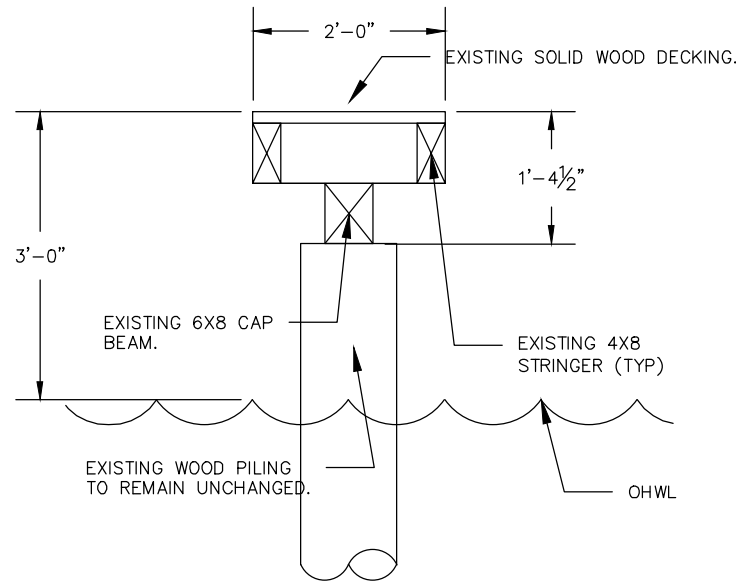
E-MAIL: INFO@MARINELLC.COM

PLOT DATE: 30 January 2023



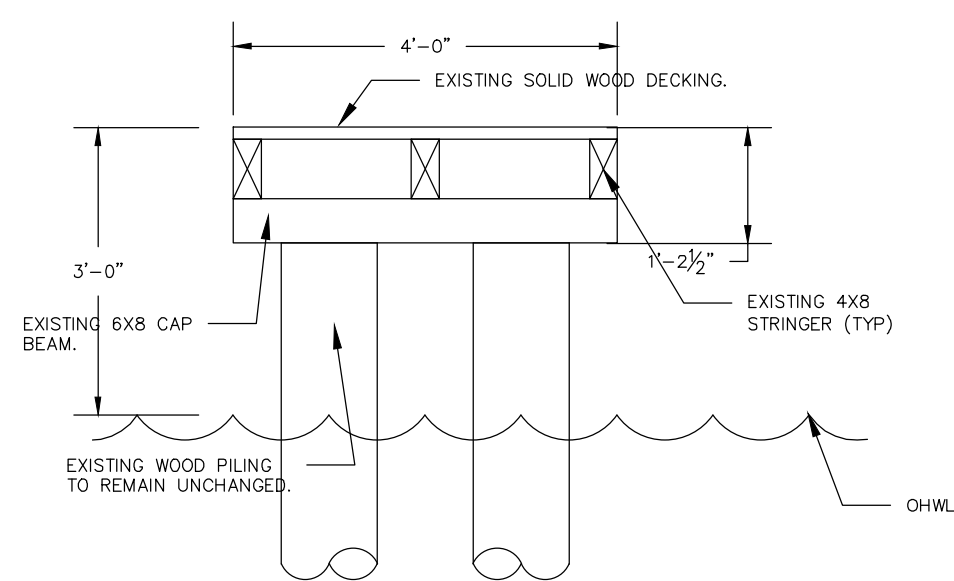
**EXISTING MAIN WALKWAY SECTION DETAIL**

SCALE: 1/4" = 1'-0"



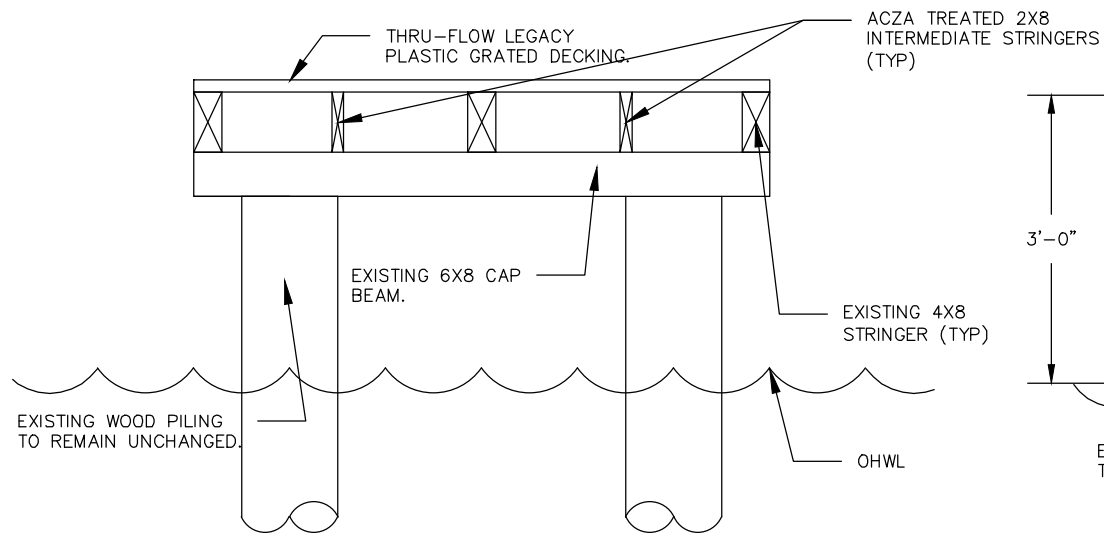
**EXISTING FINGER SECTION DETAIL**

SCALE: 1/4" = 1'-0"



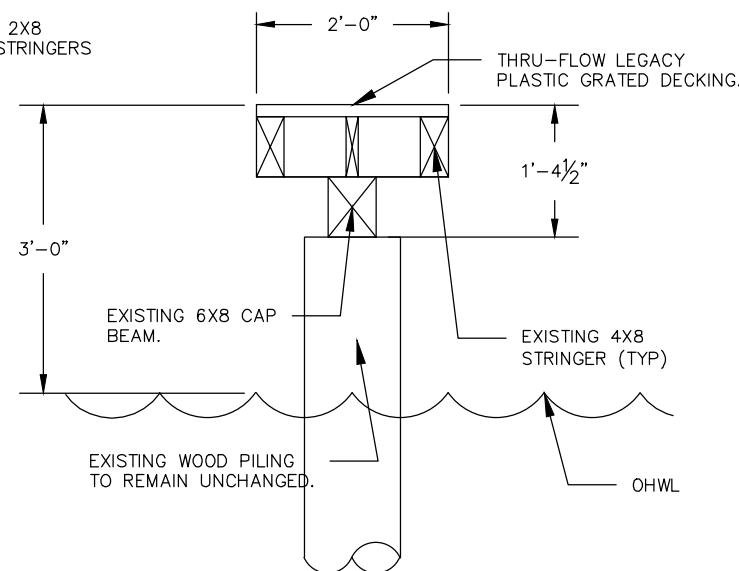
**EXISTING ELLWALKWAY SECTION DETAIL**

SCALE: 1/4" = 1'-0"



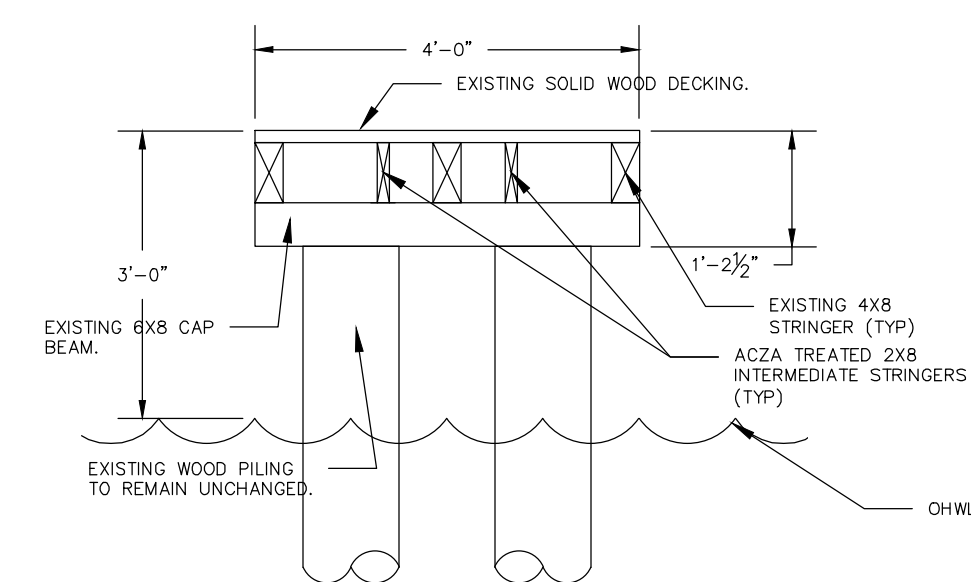
**PROPOSED MAIN WALKWAY SECTION DETAIL**

SCALE: 1/4" = 1'-0"



**PROPOSED FINGER SECTION DETAIL**

SCALE: 1/4" = 1'-0"



**PROPOSED ELLWALKWAY SECTION DETAIL**

SCALE: 1/4" = 1'-0"



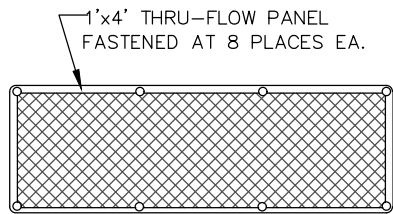
# MARINE RESTORATION & CONSTRUCTION LLC

P.O. BOX 884 Kirkland, WA 98083-0884  
 FAX: (425) 576-8669  
THIS DRAWING IS PROPERTY OF MARINE RESTORATION & CONSTRUCTION LLC AND MAY NOT BE COPIED OR REPRODUCED WITHOUT WRITTEN CONSENT

PHONE: (425) 576-8661

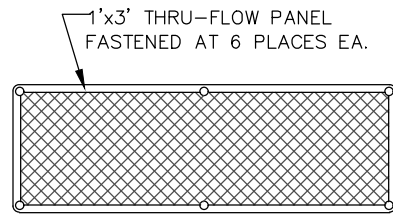
E-MAIL: INFO@MARINELLC.COM





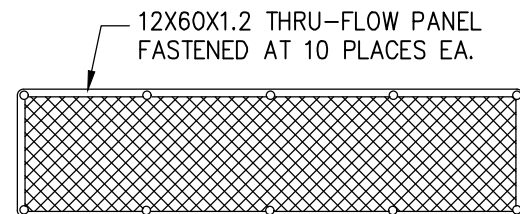
48" THRU-FLOW GRATED PANEL

N.T.S.



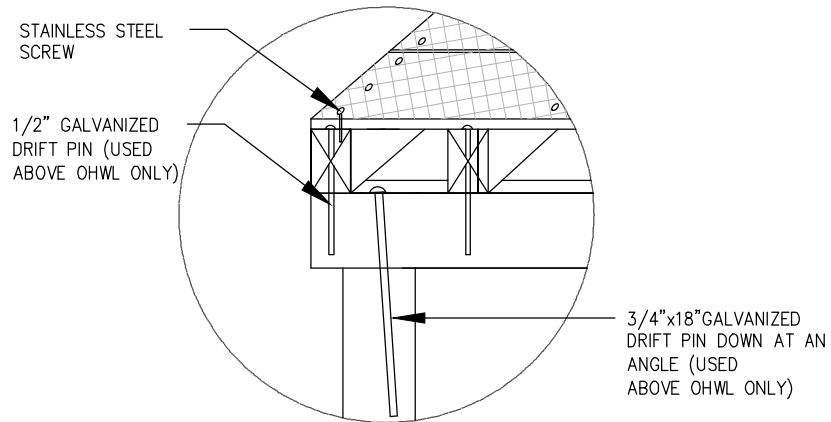
36" THRU-FLOW GRATED PANEL

N.T.S.



60" THRU-FLOW GRATED PANEL

N.T.S.



CONNECTION DETAIL

N.T.S.



# MARINE RESTORATION & CONSTRUCTION LLC

P.O. BOX 884 Kirkland, WA 98083-0884  
 FAX: (425) 576-8669  
THIS DRAWING IS PROPERTY OF MARINE RESTORATION & CONSTRUCTION LLC AND MAY NOT BE COPIED OR REPRODUCED WITHOUT WRITTEN CONSENT

PHONE: (425) 576-8661

E-MAIL: INFO@MARINELLC.COM